

A3210/85-A3215/85

Catenaccio e Scrocco
1-2 Mandate
Azionamento a cilindro
Incisione Stile ARABIC

Bolt and Latch
1-2 Turns
Cylinder movement
ARABIC Style Engraving

FINITURA DI SERIE

- Piastra frontale, Catenaccio, Scrocco OLV

STANDARD FINISHINGS

- Front plate, Bolt, Latch OLV

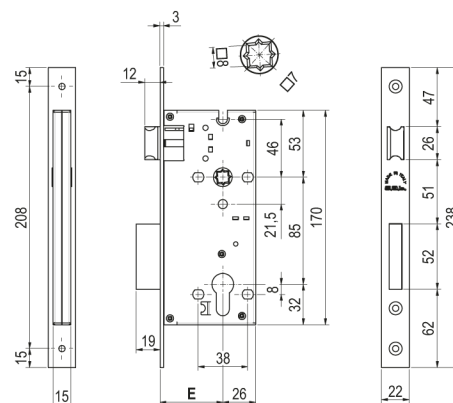
DOTAZIONE

- Contropiastra con aletta Art. 357 OLV
- Vaschetta coprifresata scrocco e catenaccio Art. C371
- Viti di fissaggio
- CILINDRO ESCLUSO

ACCESSORIES

- Striking plate with tab Art. 357 OLV
- Plastic bolt and latch milling cover Art. C371
- Fixing screws
- CYLINDER NOT INCLUDED

Serie 3200 Elité - ARABIC



Serrature da infilare a cilindro | Scatola Chiusa | Stile ARABIC
Mortice locks for profile cylinder | Closed lock case | ARABIC Style

A3210/85
A3215/85

Catenaccio e Scrocco | 1-2 Mandate | Azionamento a cilindro | Incisione Stile ARABIC

Bolt and Latch | 1-2 Turns | Cylinder movement | ARABIC Style Engraving

Codice Code	Finitura Finishing						
A3210 85 40 ___ 7	---						
A3210 85 45 ___ 7	---						
A3210 85 50 ___ 7	---						
A3210 85 60 ___ 7	---	2					
A3210 85 70 ___ 7	---						
A3210 85 80 ___ 7	---						
A3215 85 40 ___ 7	---		22x3x238	85		1	20
A3215 85 45 ___ 7	---						
A3215 85 50 ___ 7	---	1					
A3215 85 60 ___ 7	---						
A3215 85 70 ___ 7	---						
A3215 85 80 ___ 7	---						

Finitura
Finishing

Finiture Standard | Standard Finishings

OLV	PLO	OPM AGO	OCL ONS	OGM
-----	-----	------------	------------	-----