

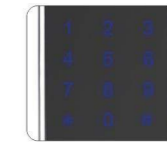
## FINGERPRINT DIGITAL DOOR LOCK

— PROVIDE YOU HIGH SECURITY AND GREATER CONVENIENCE

### ● User-friendly Access(3 Ways)



Fingerprint Access

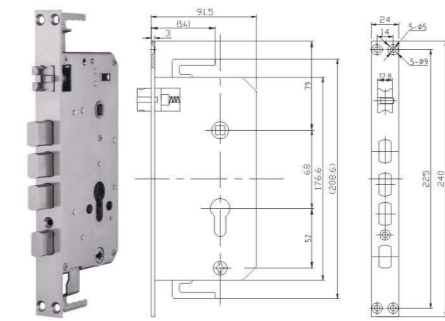


PIN Access

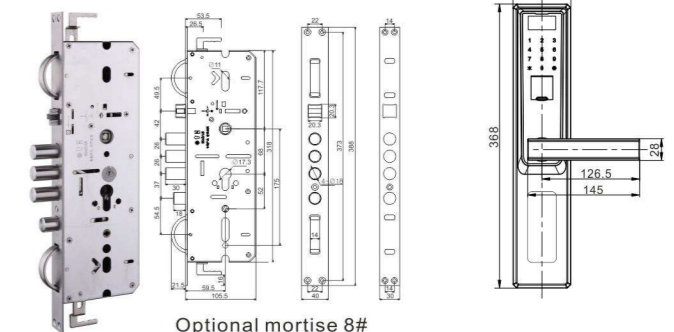


Mechanical Key Access

Selectable Dual Verification Access(PIN + Fingerprint)



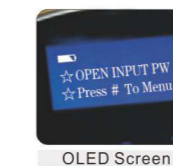
Standard mortise K2



Optional mortise 8#



918SS-62-F  
Stainless Steel



OLED Screen



Wide Touch Pad

- Anti-panic exit function
- Auto locking mode and passage mode
- Multi-level user entry
- Audit trail possible
- Applicable with standard mortise K2.
- Suitable for Residence, Commercial office, School, Government, Hospital, Bank.

- **Enhanced security by Scramble Code for PIN access**  
You may add random code before your password or after your password to prevent any person beside you to peer your password

- **Interface with alarm system can be ordered**

### ● Avoid guessing user PIN from fingerprint marks



Press the 2 random digits before entering access PIN



Press the user PIN



Impossible to guess user PIN due to random fingerprint

Total User:	230 (fingerprint + code user altogether)
Material:	Stainless Steel
Method of Fingerprint:	Semiconductor
Sensor Speed:	1 Second
False Rejection Rate:	<0.1%
False Acceptance Rate:	<0.001%
Password Combination:	3 to 12 digits combination
Mechanical key override :	Yes
Battery:	4 standard AA alkaline batteries, 18 months in normal state
Indication:	Light, Sound (Mute, Beep, or music optional)
Deadbolt Indication:	Yes
Unlocking record for trail:	Yes
Low voltage warning:	Yes
Passage mode for meeting room:	Yes
Static consumption:	12uA
Dynamic consumption:	300mA
Humidity:	20%-80%
Working temperature:	-10°C~60°C
Handle optional:	None
Packing:	4PCS/CTN, 19.8KGS/CTN, 49*46*38.5CM



918BP-62-F  
Golden PVD



918MB-62-F  
Rose Gold



Technology Inspires  
Future.