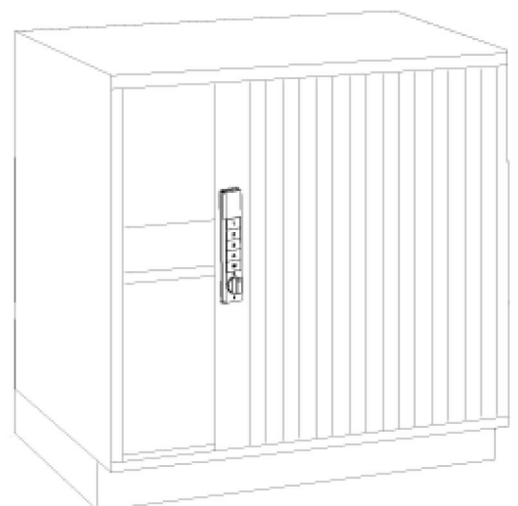
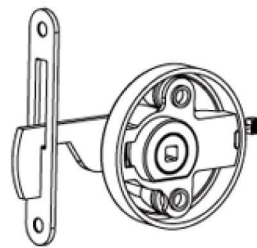




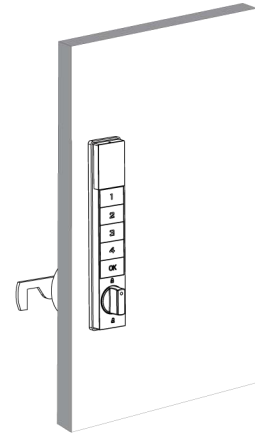
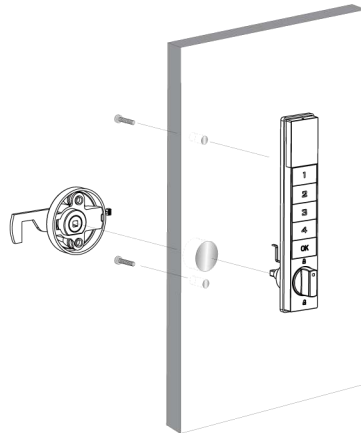
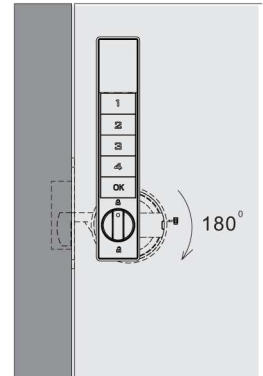
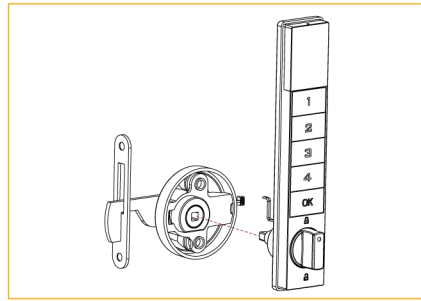
BENZOVILLE
HARDWARE

Electronic Rolling Door Lock



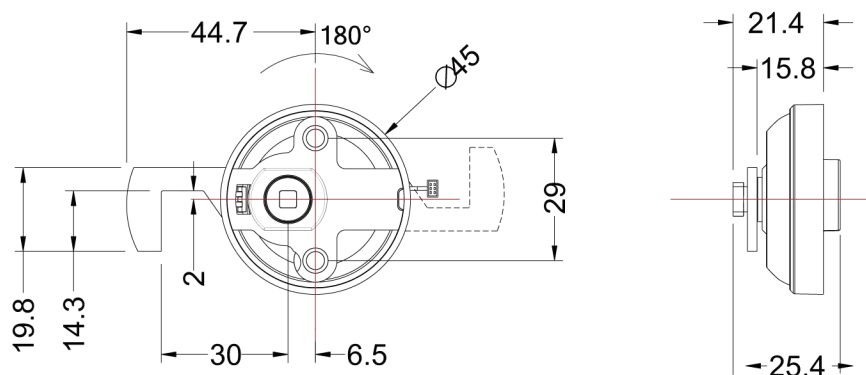
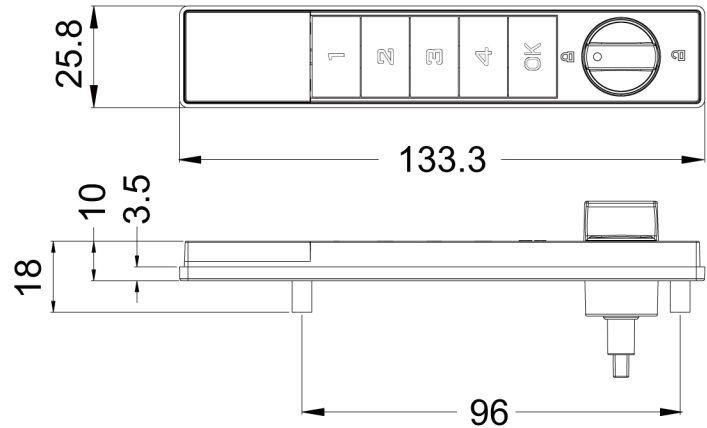
P153 Rolling door lock

► Appearance

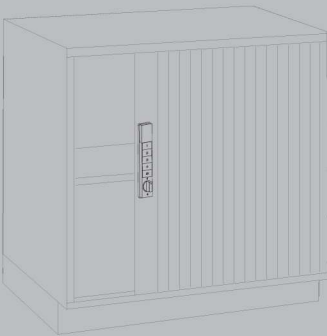
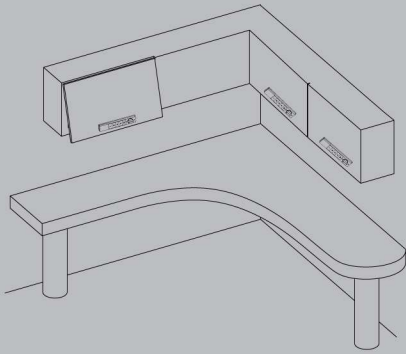


Note: Standard wooden panel thickness is 16~18mm

► Dimension

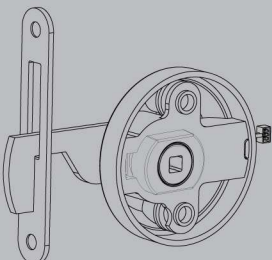
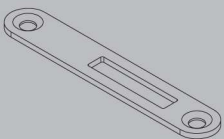
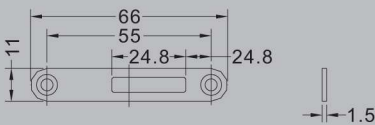


Intelligent Cabinet Lock P153 Series



3205 striking plate

Order No.	Printing	Remark
CJB3205	Nickel	Standard



Packing list

No.	Description	Quantity	Remark
1	P153 Keypad	1 pcs	Horizontal or Vertical
2	ST Cylinder	1 pcs	
3	Silicone protector	1 pcs	
4	M3.5X16 tapping screw	2 pcs	For cylinder
5	M3X16 Screw	2 pcs	For keypad
6	3205 striking plate	1 pcs	
7	M3.5X10 tapping screw	2 pcs	For L-Type striking plate
8	User manual	1 pcs	
9	CR1632 Button-cell battery	1 pcs	

Intelligent Cabinet Lock
P153 Series



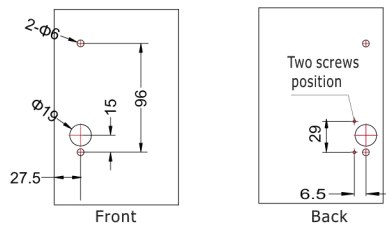
P153V Vertical keypad



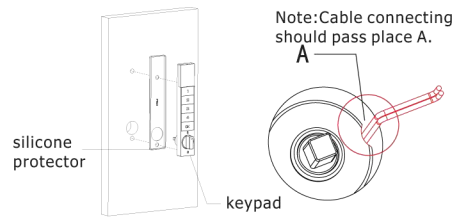
P153 Horizontal keypad

How to install

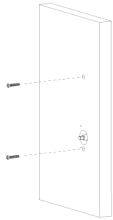
1. Drill holes



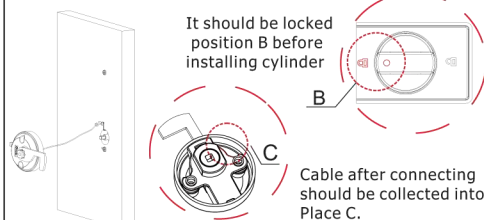
2. Install silicone protector & keypad



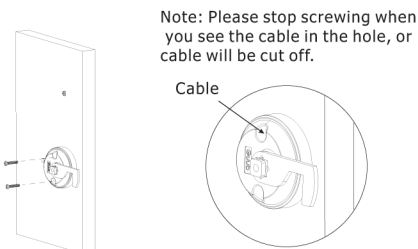
3. Fix keypad with screws



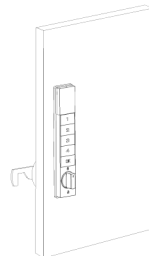
4. Connect cable and install cylinder



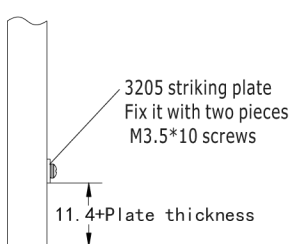
5. Fix cylinder with screws



6. Finished installation of keypad and cylinder



7. Location of 3205 striking plate



8. Installation completely

