

BENZOVILLE

HARDWARE



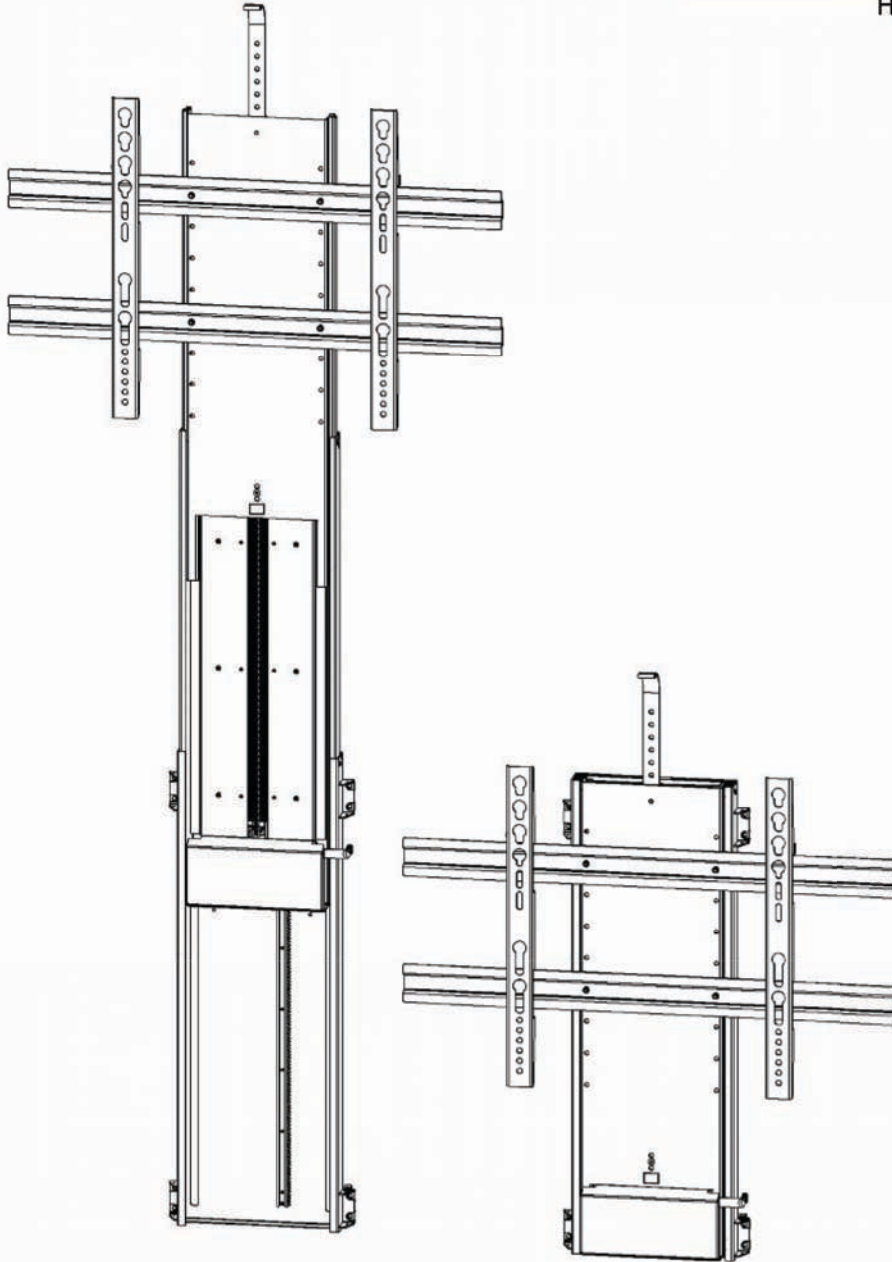
With a stroke of 1000 mm the TS1000A handles very large LCDs/plasmas. Despite the big stroke, the unit only requires a build-in height of 750 mm.

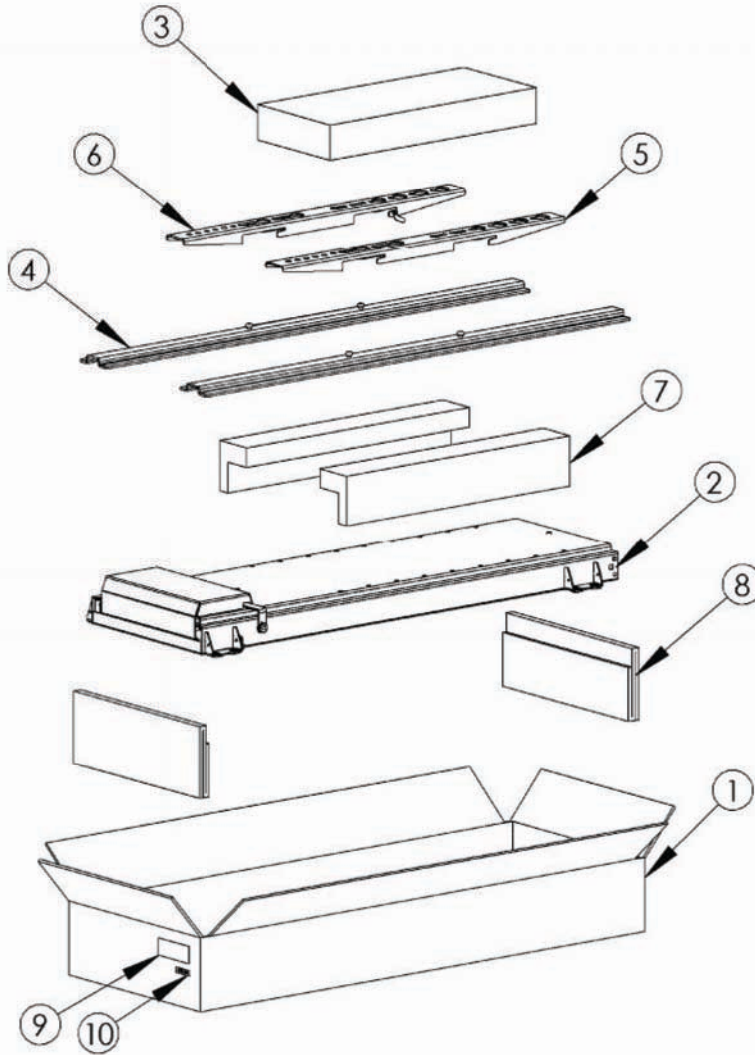


Featured with anti-squeeze safety protection. If the moving parts of the lift or the LCD/plasma mounted on the lift meet an obstacle in the down-going motion, the lift will stop and reverse. The pressure given before reversing is equal to the weight of the TV that is mounted.

Remote controlled with RF.
Peak load of 100 kg and working load of 65/29 kg

The living room tv lift is already a well-known application in many homes and offices. By one touch of the remote you will still be able to see your pictures on the wall behind the tv. Or you could mount the tv lift directly on the wall and then hide the tv behind the sofa after use. In your summer house you can hide the tv while you are away and secure it against theft. Like we enjoy saying : Plug and Play in one box !



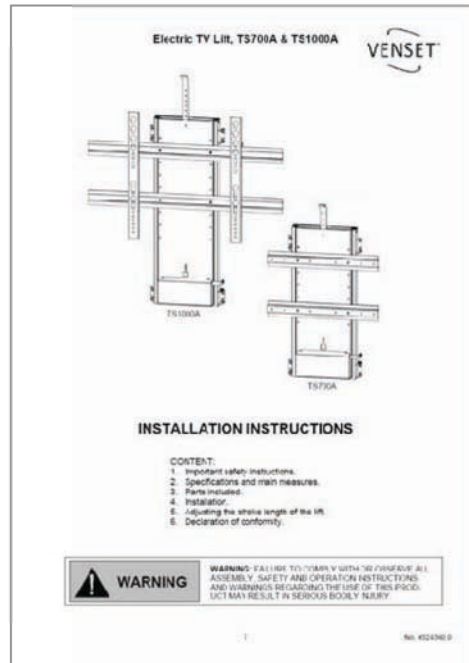
Bill of material


ITEM NO.	QTY	PART NO.	DESCRIPTION
1	1	323360	Cardboard box,
2	1	114800	TS1000A assembly
3	1	116590	A - Power and acc. box packed, EU
4	2	116580	Screen arm support assembly
5	1	116470	Screen arm assembly, left
6	1	116460	Screen arm assembly, right
7	2	323680	PC block
8	2	313710	Cardboard block
9	1	316960	ID label
10	1	317920	Serial no. Label

Assembly and use

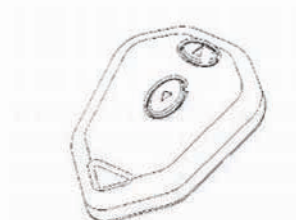
The electrical components should be connected after mounting the lift. All wires have DC jacks or multi plugs and since using different types only the correct connection can be made.

All products come with an instruction manual.

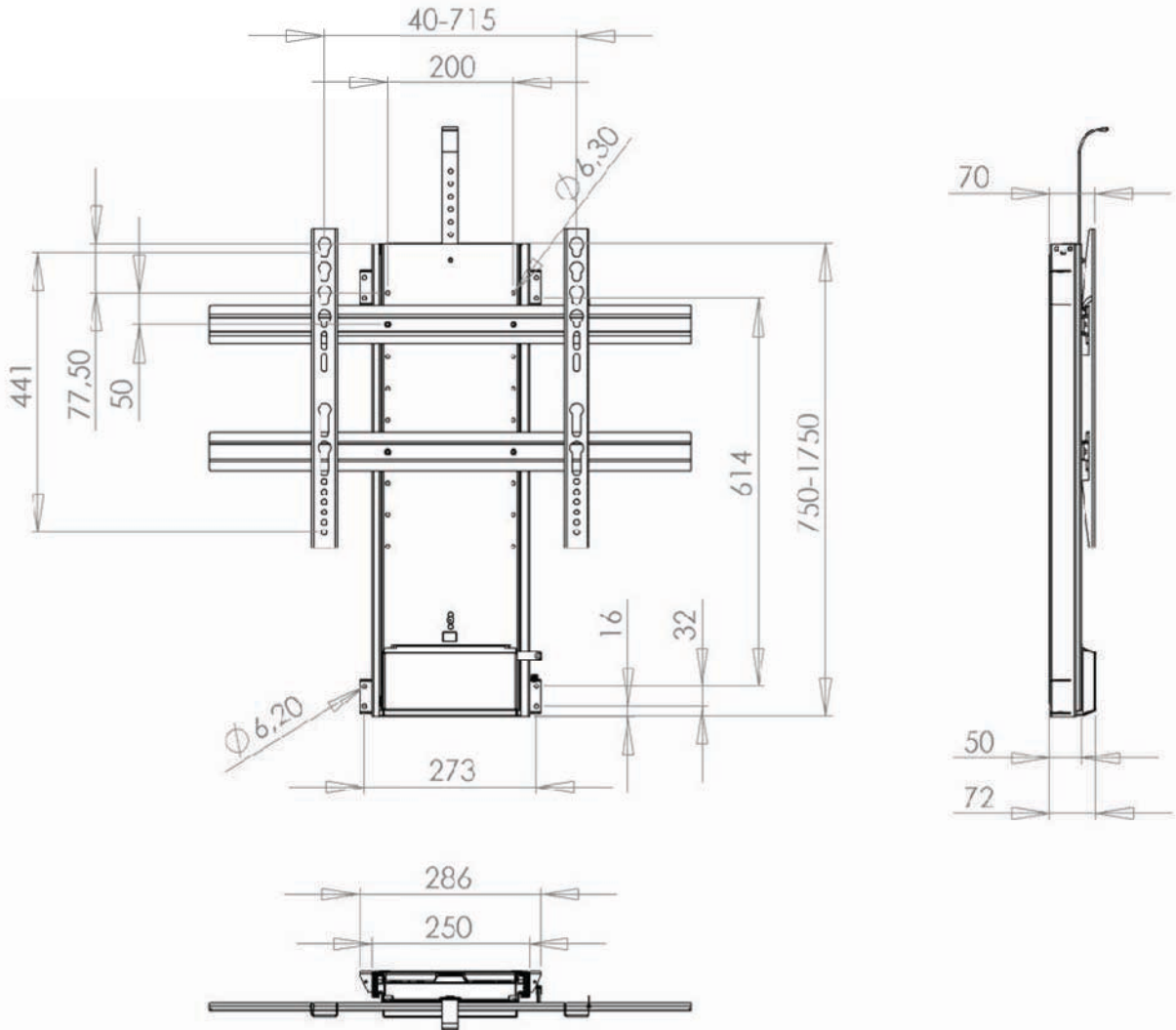


The mechanism can now be operated up and down using the supplied remote unit. Push "△" and the lift will expand. Pushing "▽" and the lift will contract.

Anti squeeze – auto reverse function: If the product hits an item on its way down, it will reverse a bit in up going direction. The pressure given before reversing is equal to the weight of the TV that is mounted.



Dimensions [mm]



Specifications

Mechanism

Stroke	1000mm
Max. working loads:	65 kg (by standard installation) 29 kg (when lift is mounted upside down) 100 kg peak load
Duty cycle:	10% by 50% of working load or max 2 min. continuously
Speed	28 mm/sec (unloaded)
VESA	600x400 - 600x200 - 600x100 400x400 - 400x200 - 400x100 300x300 200x200 - 200x100

Component

Metal sheet parts:	St 37-2
Gear parts:	St 70-2
Gear motor:	VENSET brand motor no. 116490
Power supply:	120 W AC Power Transformer Consumption: 60 W (max. 120 Watts); Standby: Max 0,9 Watts
Plastic components:	PEHD, PA6, POM
Surface treatment	Visible metal parts powder coated in black colour, RAL 9004 Non visible metal parts are surface treated (e.g. zinc plated)
Operating system:	Rocker switch or RF remote system
Remote system	RF signal operated (Radio frequency – 433,92Hz)